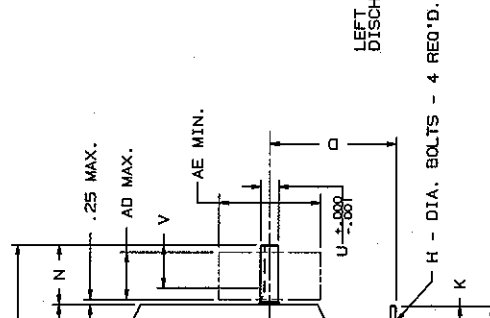
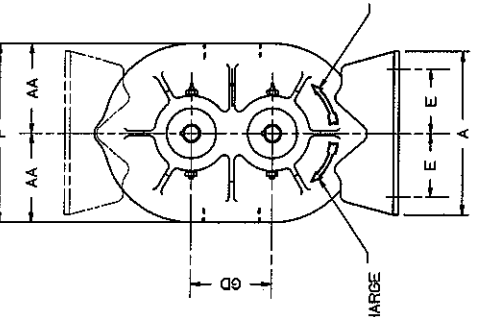
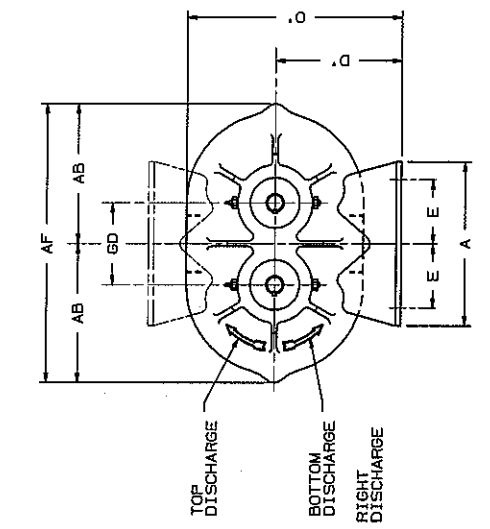


APPROX. OIL CAPACITY	FRAME	2-1/2	3-1/2	4	5
VERTICAL		3.4 FL. OZ.	8.5 FL. OZ.	12.7 FL. OZ.	16.0 FL. OZ.
HORIZONTAL		6.1 FL. OZ.	16 FL. OZ.	22.8 FL. OZ.	27.6 FL. OZ.

No. REF'D.	PART NAME	PATT. No. PART No.	MAT'L.



W - INLET & DISCHARGE SHEAVE WIDTH
 AD - SHEAVE DIAMETER
 AE - SHEAVE DIAMETER

H - DIA. BOLTS - 4 REQ'D.

ALL DIMENSIONS IN INCHES

UNIVERSAL[®] RAI BLOWER

FRAME SIZE	GD	A	B	C	D	D'	E	F	G	H	K	M	N	O	O'	P	R	U	KEYWAY	W NET.	V	AA	AB	AD	AE	AF	APPROX. WT. LBS
22	2.5	5.13	5.00	9.75	3.75	3.75	1.50	2.00	2.00	2.38	1.25	2.63	2.50	9.63	6.88	6.25	5.00	6.25	1.88x.094	2"	1.91	3.13	4.63	1.75	4.00	9.25	32
24	"	"	"	7.00	11.75	"	3.00	3.00	"	"	"	3.63	"	"	"	"	"	"	"	"	"	"	"	"	"	"	43
32	3.50	7.25	7.75	11.25	5.00	5.00	2.50	2.88	2.50	4.44	1.75	3.38	2.44	12.81	8.88	7.75	6.75	7.50	1.88x.094	1-1/4"	1.63	3.88	6.06	1.91	5.00	12.13	69
36	"	"	"	10.00	14.63	"	3.00	3.25	"	"	"	3.81	"	"	"	"	"	"	"	"	"	"	"	"	"	"	74
42	4.00	8.00	7.25	13.00	5.25	5.25	3.00	3.13	3.1	4.44	2.00	3.68	3.18	15.06	10.63	9.75	8.75	8.75	1.88x.094	1-1/2"	2.31	4.38	6.81	2.31	5.00	13.63	88
45	"	"	"	10.00	15.5	"	3.00	3.25	"	"	"	5.06	2.94	"	"	"	"	"	"	"	"	"	"	"	"	"	109
47	"	"	"	11.75	17.63	"	3.00	3.38	"	"	"	5.94	3.31	"	"	"	"	"	"	"	"	"	"	"	"	"	128
53	5.00	10.50	8.38	15.38	6.25	6.25	3.50	3.68	2.50	1.88	4.50	3.68	3.68	17.38	11.88	10.25	9.75	11.25	2.5 x 1/2	2"	2.75	5.13	8.63	3.06	6.00	17.25	143
56	"	"	"	14.00	17.50	"	3.00	3.00	"	"	"	5.81	3.35	"	"	"	"	"	"	"	"	"	"	"	"	"	170
59	"	"	"	14.00	21.00	"	3.00	3.50	"	"	"	7.31	3.88	"	"	"	"	"	"	"	"	"	"	"	"	"	204

DO NOT SCALE FOR DIMENSIONS
 ALL DIMENSIONS SHOWN IN DRAWINGS [] ARE MILLIMETERS

MFG. REF.	DATE	DR. DB	CHKD.	APP. FCR	DRY	SCALE	CAD FILE / DIRECTORY
	8/29/84						

CONFIDENTIAL
 THIS DOCUMENT CONTAINS CONFIDENTIAL INFORMATION OF ROOTS DIVISION, DRESSER INDUSTRIES, INC. IT SHALL BE HELD IN STRICTEST CONFIDENCE, AND BE USED ONLY IN CONNECTION WITH ROOTS DIVISION BUSINESS.

REF. EP938	CONCENTRICITY	REVISIONS	BY	DATE	CHANGE NOTICE	APP
□ FLATNESS	1 PERPENDICULARITY	C CORRECTED FRAME 36	REM	8/14/90		
∠ ANGULARITY	2 PROFILE OF A SURFACE	B ADDED FRAME 32	RVE	6/22/90		
∥ PARALLELISM	3 DIAMETER	A REV. FRAM 59	REM	6/9/88		
⊕ TRUE POSITION	4 FINISH IN MICRO INCHES					
— STRAIGHTNESS	5 PARTS/XXAD 62795021					

ASSY DIM 22-59 URAI VH

ROOTS DIVISION
 DRESSER, INC.
 CONNERSVILLE, IN USA

62795021

REV E