

ALTERNATE POSITIONS #2, #3 & #4
ALSO AVAILABLE

POSITION #1 FURNISHED
UNLESS SPECIFIED OTHERWISE

INLET AND DISCHARGE FLANGES TO MATE
FLUSH AND SQUARE WITH FLAT FACE
FLANGES ONLY. USE FULL FACE GASKETS
FOR V-BELT DRIVEN UNITS
MOTOR TO BE LOCATED ON
DRIVE SHAFT SIDE OF BLOWER

700 RCS-JH BLOWER

W - INLET
W' - DISCHARGE
AD - SHEAVE WIDTH
AE - SHEAVE DIAMETER H

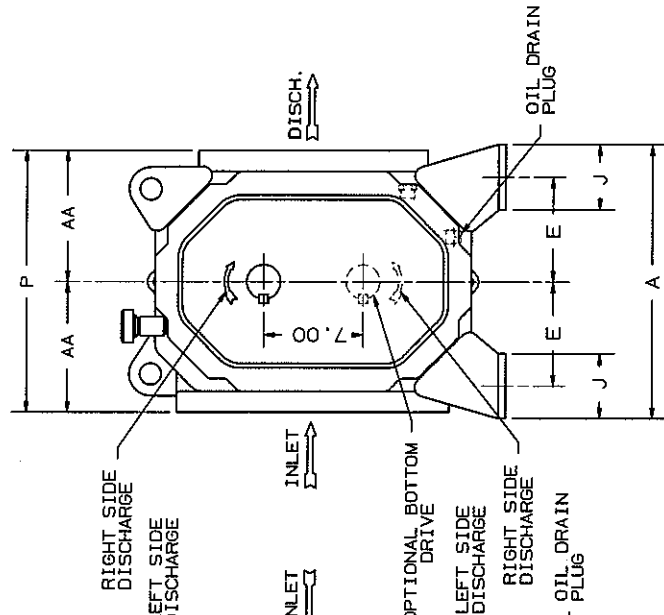
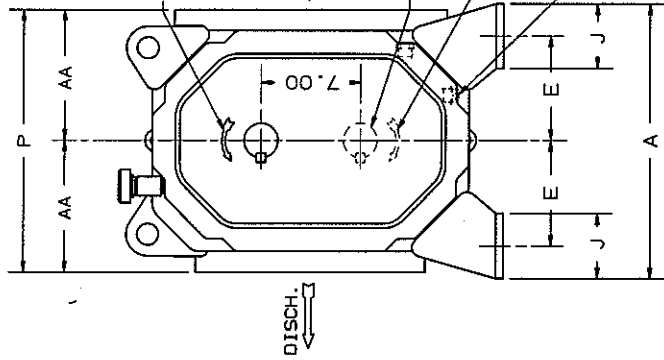
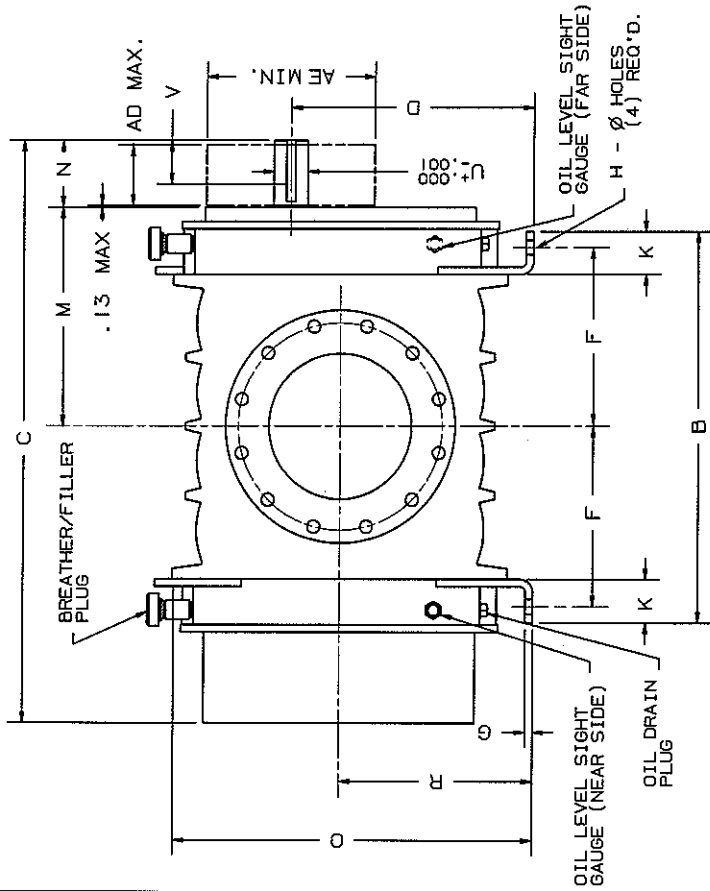
ALL DIMENSIONS IN INCHES

FRAME SIZE	A	B	C	D	E	F	G	H	J	K	M	N	O	P	U	V	KEYWAY	W	W'	8"FLG	10"FLG	12"FLG	AA	AB	AD	AE	APPROX WEIGHT
715	26.00	21.50	33.88	10.00	10.75	9.63	.50	1.00	4.50	3.00	12.50	4.56	19.00	23.25	2.375	3.00	.625x.313	10"FLG	8"FLG	10"FLG	9.00	11.63	4.43	11.80	1100		
721	"	27.00	39.38	"	"	12.38	"	"	"	15.25	"	"	"	"	"	"	"	12"FLG	10"FLG	12"FLG	"	"	"	"	"	1200	

B- REVISED APPROX. WEIGHT JHB 10-21-93
A- REVISED PER ECN 3699-V RE 2/5/93

FR 2/5/93
DB BA
70899021
70899021

/PARTS/XXAD



INLET AND DISCHARGE FLANGES TO MATE FLUSH AND SQUARE WITH FLAT FACE. FLANGES ONLY. USE FULL FACE GASKETS FOR V-BELT DRIVEN UNITS MOTOR TO BE LOCATED ON INLET SIDE OF BLOWER

LEFT SIDE DISCHARGE FURNISHED UNLESS OTHERWISE SPECIFIED

RIGHT SIDE DISCHARGE FURNISHED ONLY WHEN SPECIFIED

700 RCS-JV BLOWER

FRAME SIZE	A	B	C	D	E	F	G	H	J	K	M	N	O	P	R	U	V	KEYWAY	W	W'	AA	AD	AE	APPROX WEIGHT
715	19.00	21.50	33.88	17.00	7.25	9.63	.50	1.00	4.50	3.00	12.50	4.56	25.13	18.00	13.50	2.375	3.00	.625x.313	10"FLG	8"FLG	9.00	4.43	11.80	1100
721	"	27.00	39.38	"	12.38	"	"	"	"	"	15.25	"	"	"	"	"	"	"	12"FLG	10"FLG	"	"	"	1200

W - INLET
W' - DISCHARGE
AD - SHEAVE WIDTH
AE - SHEAVE DIAMETER
H

ALL DIMENSIONS IN INCHES

CERTIFIED CORRECT FOR

CUSTOMER ORDER No. _____

ROOTS ORDER No. _____

DATE _____

B-REVISED APPROX. WEIGHT JHB 10-21-93

A-REVISED PER ECN 3698-V RVE 2/5/93



DRESSER ROOTS
DRESSER, INC.
CONOVERVILLE, IN USA

BY	DATE

REVISIONS

FR 1/7/91	DR	CHKD	APP
DB	BA		

70898021

REV

PRINTED IN U.S.A.