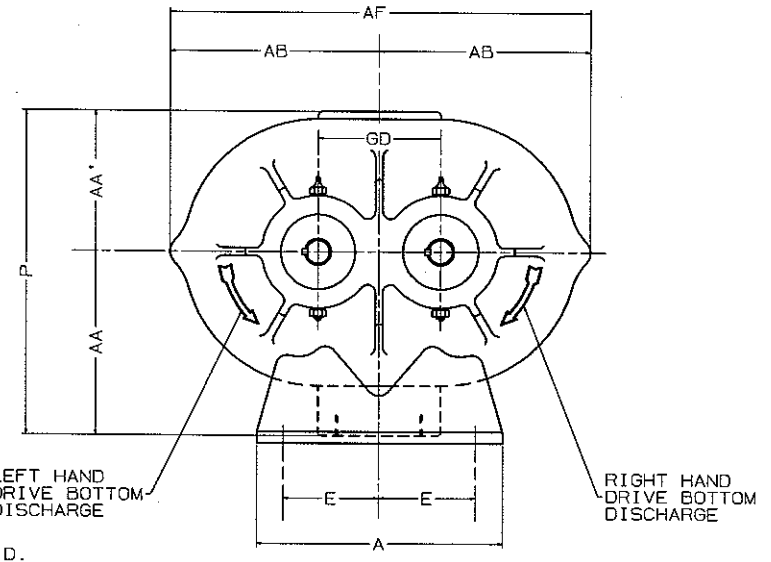
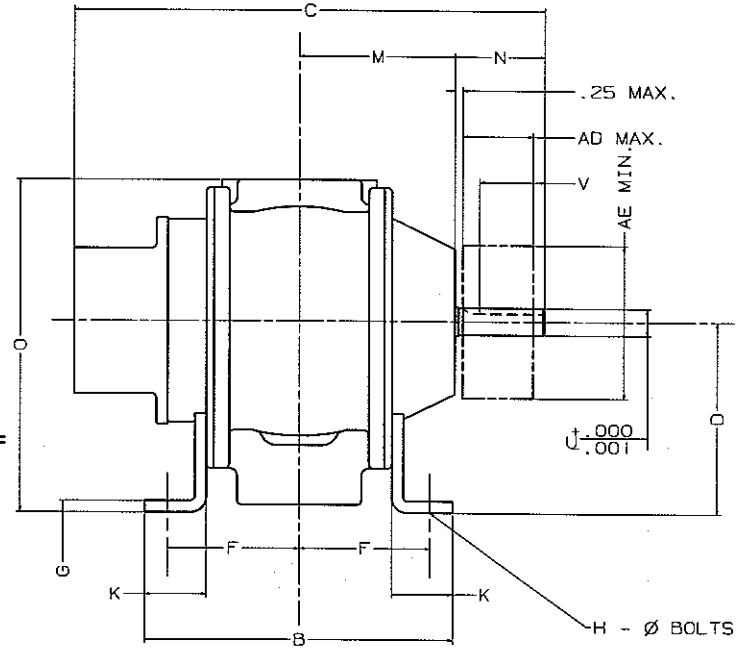
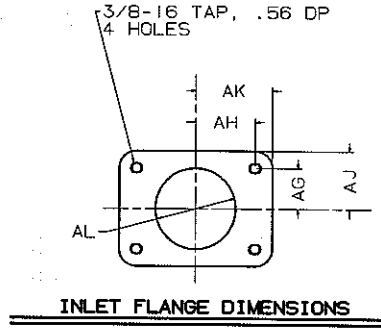


FRAME	APPROX. OIL CAPACITY
3-1/2	16.0 FL. OZ.
4	22.8 FL. OZ.

FRAME SIZE	AG	AH	AJ	AK	AL
36	1.50	1.94	2.00	2.75	2.38
45	1.50	1.94	2.06	2.50	2.38
47	1.50	1.94	2.44	3.38	3.00



W - DISCHARGE
 AD - SHEAVE WIDTH
 AE - SHEAVE DIAMETER

**UNIVERSAL RAI-J BLOWER (HYDRAMASTER)
 w/DUAL DRIVE SHAFT**

ALL DIMENSIONS IN INCHES

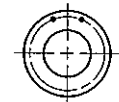
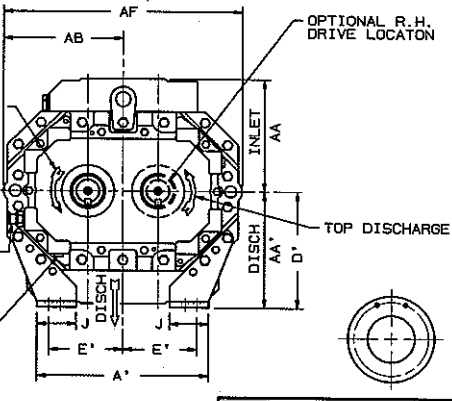
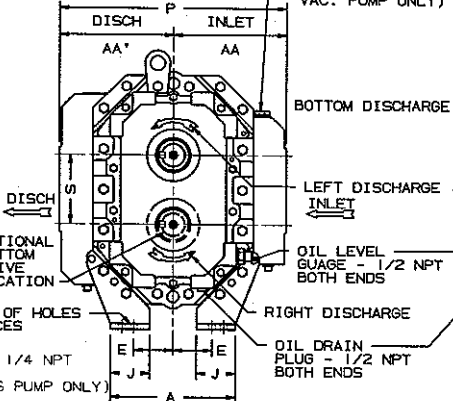
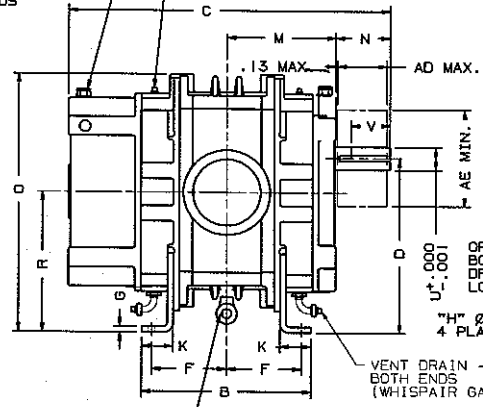
FRAME SIZE	GD	A	B	C	D	E MIN.	E MAX.	F MIN.	F MAX.	G	H	K	M	N	O	P	U	KEYWAY	W NPT.	V	AA	AA'	AB	AD	AE	AF	APPROX. WT. LBS
36	3.50	7.25	10.00	14.63	5.00	2.50	2.88	4.18	4.44	.25	.44	1.75	5.00	2.56	9.13	9.63	.750	.188x.094	2-1/2"	1.75	5.50	4.13	6.06	1.91	5.00	12.13	110
45	4.00	8.00	10.00	15.50	6.25	3.00	3.13	3.56	4.25	.31	.44	2.00	5.06	2.94	10.88	10.63	.875	.188x.094	2-1/2"	2.13	6.00	4.63	6.81	2.31	5.00	13.63	113
47	4.00	8.00	11.75	17.63	6.25	3.00	3.13	4.63	5.38	.31	.44	2.00	5.94	3.31	10.88	10.63	.875	.188x.094	3"	2.50	6.00	4.63	6.81	2.31	5.00	13.63	136

OIL FILL/ BREATHER
1/2 NPT
BOTH ENDS

VENT PURGE CONN. - 1/2 NPT
BOTH ENDS
(WHISP AIR GAS PUMP ONLY)

1/2 NPT CONNECTION
SEAL WATER
4.5 G.P.M. MAX
(WHISP AIR WATER SEALED
VAC. PUMP ONLY)

No. REQ'D.	PART NAME	PATT. No. PART No.	MAT'L.
------------	-----------	--------------------	--------



W - INLET
W' - DISCHARGE
AD - MAXIMUM SHEAVE WIDTH
(SEE OVERHUNG LOAD LIMIT K-24102)
AE - MINIMUM SHEAVE DIAMETER
(SEE OVERHUNG LOAD LIMIT K-24102)
ALL DIMENSIONS IN INCHES

INLET & DISCHARGE FLANGES TO
MATE FLUSH & SQUARE WITH
FLAT FACE FLANGE ONLY.
USE FULL FACE GASKETS.
V-BELT DRIVEN UNITS: MOTOR
TO BE LOCATED ON INLET SIDE
OF BLOWER.

A 5048V C 5420V D 5560V E 5767V
F 5986V

FLG	5"	6"	8"	10"
OPENING	5"	6"	8"	10"
BOLT CIRCLE	8.50	9.50	11.75	14.25
FLANGE O.D.	10.00	11.00	13.50	16.00
No TAPPED HOLES	8	8	8	12
SIZE HOLES	3/4-10	3/4-10	3/4-10	7/8-9
TAP DEPTH	1.13	1.13	1.13	1.13

FRAME SIZE	A	A'	B	C	D	D'	E	E'	F	G	H	J	K	M	N	O	P	R	S	U	V	KEYWAY	W	W'	AAA	AA'	AB	AD	AE	AF	APPROX WEIGHT
404	9.00	1.00	8.75	18.50	11.25	7.50	2.50	4.75	3.75	.38	.44	2.50	2.00	5.95	3.48	6.63	14.50	9.00	4.50	1.50	2.75	.375x.188	3"NPT	3"NPT	7.25	7.25	7.63	3.06	7.10	15.25	260
406	"	"	10.75	20.50	"	"	"	"	4.75	"	"	"	"	6.95	"	"	"	"	"	"	"	"	4"NPT	4"NPT	"	"	"	"	"	"	300
409	"	"	13.75	23.50	"	"	"	"	6.25	"	"	"	"	8.45	"	"	"	"	"	"	"	"	5"NPT	5"NPT	"	"	"	"	"	"	350
412	"	"	16.75	26.50	"	"	"	"	7.75	"	"	"	"	9.95	"	13.00	"	"	"	"	"	"	6"FLG	6"FLG	6.00	7.00	"	"	"	"	400
418	"	"	22.75	32.50	"	"	"	"	10.75	"	"	"	"	12.95	"	14.00	"	"	"	"	"	"	8"FLG	8"FLG	7.00	"	"	"	"	"	500
616	9.00	15.00	20.75	32.19	15.00	9.00	3.50	6.50	9.75	.38	.56	2.50	2.00	12.41	4.30	22.00	16.25	12.00	6.00	2.00	3.63	.500x.250	8"FLG	8"FLG	7.50	8.75	10.00	4.44	8.50	20.00	700
624	"	"	28.75	40.19	"	"	"	"	13.75	"	"	"	"	16.41	"	17.50	"	"	"	"	"	"	10"FLG	8"FLG	8.75	"	"	"	"	"	910

NO. REF.	DATE	DR. RDR	CHK. BMS	APP. FDA	DPV	SCALE
CONFIDENTIAL						
THIS DOCUMENT CONTAINS CONFIDENTIAL INFORMATION OF ROOTS DIVISION, DRESSER INDUSTRIES, INC. IT SHALL BE HELD IN STRICTEST CONFIDENCE, AND BE USED ONLY IN CONNECTION WITH ROOTS DIVISION BUSINESS.						
L	ADDED NIPLLE & ELBOW	VC	11/17/00	T16	RK	
K	ADDED "INLET" & "DISCH"	RDR		6484V		
J	REV DIM "H" ON 600	RDR		6294V	BMS	AGP
H	REV DIM "AF" ON 600	RDR		6260V	BMS	AGP
G	REV DIM "M" ON 624	RDR		6186V	BMS	DB
REVISIONS						
BY	DATE	CHANGE NOTICE	CHKD.	APP		

DO NOT SCALE FOR DIMENSIONS
ALL DIMENSIONS SHOWN IN BRACKETS ARE IN MILLIMETERS

400/600 SERIES

RAM

(WHISP AIR) RAM-J/RAM-GJ
& RAM-VJ

ROOTS DIVISION
DRESSER, INC.
HOUSTON, TX USA

78389021

REV L